

R15 eXtremo

Resistant mobile phone for 2 SIM cards



Quick Guide

Contents

Important instructions.....	2
Your mobile phone.....	6
Insert SIM + memory card and battery.....	7
Battery charging.....	7
Switch On / Off.....	8
Making calls.....	9
Keypad lock.....	9
Volume.....	9
Position of antennas.....	10
Insert of text.....	10
Telephone directory.....	11
Torchlight.....	11
Speed dial.....	12
SOS function.....	12
Safety and ecology.....	12
Declaration of conformity.....	13

We thank you for buying of this resistant mobile phone ALIGATOR. Before you start please read this quick guide with important instructions.

Important instructions

- Although the phone is durable, treat your phone and its accessories with care, protect it from falling to the ground, mechanical damage, dirt and extreme temperatures. Especially protect the screen from bumps and knocks! Never disassemble the phone or accessory!

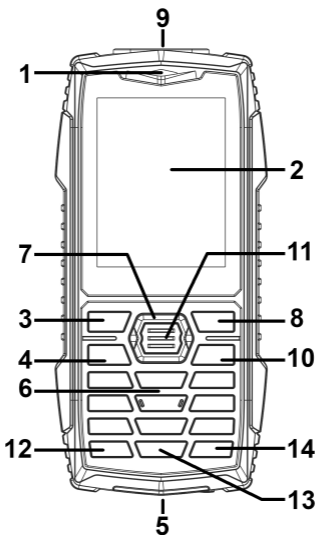
Remember that even with a durable phone the display can crash damage!

- Your phone is waterproof (not valid for saltwater), provided that all covers of holes are properly fitted and sealed. The maximum length of contact with water is 30 min. and the phone must not be submerged to depths greater than 1m. Yet it has to be completely protected against water. In case of contact, respectively immersion in water, remove it from the water as soon as possible and let it dry.
- When deploying all covers make sure that there is no dirt on the seal caps , that they seal properly and are fully deployed.
- When the phone or its part got into contact with water, dry it thoroughly before operating it. Especially dry all caps, folds, crevices and holes for the speaker, earphone and microphone. Never open the cover on the back of the phone or at the connector after the phone came into contact with water without being properly dried out before.
- In case of contact with water, do NOT tamper with the phone, press any buttons nor tamper with hole caps.
- Protect microphone, earphone and loud-speaker openings from the dust of sharp objects
- Do not switch on and do not use the mobile phone in the prohibited areas

- Do not use the mobile phone while driving the car
- Do not use the mobile phone near the filling petrol station
- Turn off the mobile phone always near explosives
- Use always original batteries supplied by the producer (danger of damage or explosion of the mobile phone)
- SAR – mobile phone meets the prescription for maximal emission of the electromagnetic radiation.
- While making a call please keep the mobile phone at least 2-3 cm away from the body to minimalise the quantity of the electromagnetic radiation absorbed by your body.
- Handle your cell phone and accessories with care , protect it from mechanical damage and impurity
- Protect the mobile phone and accessories from the extremely high temperatures
- Do not put the battery at the fire and do not expose it to the temperature over +60°C (danger of explosion or fire)
- Protect the mobile phone and accessories from the fall to the ground
- Never put the mobile phone into parts !
- Turn off the mobile phone near the sensitive medical devices unless you are sure that the radio transmission of the mobile phone does not influence its functions.
- Mobile phone can affect the function of the electronic cardiac pacemaker or other implanted apparatus – please consult your medical doctor. In cases of suspected violation turn off the phone immediately !
- Switch off the cell phone always in the aircraft
- Turn off the mobile phone always near explosives
- Do not place the mobile phone or its holder in the car at the place over the airbags

- Keep it out of reach of the children and do not allow them to play with. It contains small parts that can be suffocated or may hurt !
- Software and hardware of the mobile phone are continuously updated. The importer reserves the right to alter the instruction manual or mobile phone functions without a prior notice.
- Your phone has a very powerful flashlight. So never touch her in your eyes. Danger of glare or dazzle!

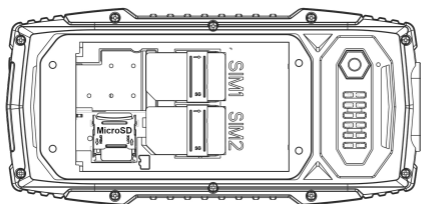
Your Mobile Phone



- | | |
|--|--|
| 1. Earphone | 8. Right function button |
| 2. Screen | 9. Torchlight |
| 3. Left function button | 10. Button to finish call or Switch On |
| 4. Button for calling | 11. Button OK |
| 5. Connector for charger and earphones | 12. Button * / SOS |
| 6. Numeric keypad | 13. Button 0 / torchlight |
| 7. Navigation button | 14. Switch of ringing / vibration |

Insert SIM + Memory Cards and Battery

1. Unscrew and remove the battery cover on the back side of the phone
2. Insert carefully one or two SIM cards at the slots under the space for battery. Make sure that the SIM cards are placed correctly with the contacts towards down. The battery must be removed when placing of SIM cards.
3. Insert the MicroSD card at the slot



4. Insert the battery
5. Put the cover back and tighten the supplied screws. Screws must be tightened but make sure not to damage the threads by an excessive force. You can use the enclosed screwdriver (optional accessories).

Battery Charging

The indicator of charging level is placed at the upper part of the screen. In case the battery is discharged proceed as follows :

1. Connect the charger with the electrical network
2. Open the cap of the connector on the bottom side part of the phone

3. Connect the charger with the mobile phone
4. When the battery is fully charged please disconnect the charger from the mobile phone and from the electrical network.
5. Close very carefully the cap of the connector and press it on its place. In case you do not press it carefully and control it, the water can penetrate inside of the mobile phone !

The mobile phone can be charged both in the switch on and in switch off mode.

In case the battery is totally discharged (after a long time of non-using), it can take even tens of minutes till the indicator of charging level appears and till the mobile phone can be switched on and started to be used.

Switch On / Switch Off

Press and hold the button (10) to **switch on**, to end the call or to switch off the mobile phone.

You can **end the call** or application event. you can return to the main screen by a short press of this button (10).

In case the lock of the cell phone is activated please insert the password. **The default password is 1234.**

Time and Date are set automatically if your operator supports this option or you can set it manually.

Making Calls

Enter the tel.number with the use of the keypad buttons and press the button **(4)**. In case 2 SIM cards are inserted you will be asked to choose which one will be used for calling.

Keypad Lock

To set up the automatic keypad lock select in menu :

Setup > Safety > Automatic keypad lock

You can lock the keypad by pressing of button (10) on the main screen

To unlock the keypad please first press the left button (3) followed by a button *****.

You can call emergency number 112 even if the keypad is locked.

Volume

Volume level of the headphones can be adjusted during the call by pressing of the navigation button Up/Down **(7)**

For **handsfree activation** / loud listening – during the call press the button OK (12)

Warning : *Exposing to an excessive noise can damage your hearing. Listen to the music with reasonable volume level and do not hold the device close to the ear, especially by using of a loud-speaker !*

Position of Antennas

Device is provided with internal antennas for the reception and transmission. Antennas are placed at the upper and bottom part of the phone. Do not cover the places where the antennas are placed.

While making a call please keep the mobile phone at least 2-3 cm away from the body to minimalise the quantity of the el.magnetic radiation absorbed by your body.

Covered antennas may influence the intensity of transmission and also the battery life.

Insert of Text

Keypad of the cell phone enables to enter not only the digits but also the letters/characters.

In case of inserting of the characters each button offers to write several letters. For example the button „2“ can write the letters A, B and C. A gap can be written with a button „0“.

You can insert the letter by repeated presses of a button, several times in quick succession till the correct letter on the screen displays. For example : letter A is the first in line it means you press only once the button 2. Letter C is the third in line it means you press quickly the button 3 times.

1. With the button # you can switch (when you write text) between the writing small and capital letters and digit mode
2. With the button * you can insert the special characters


Telephone Directory

Numbers of your telephone contacts can be stored both at the SIM card memory and at the memory of the cell phone.

Dialing numbers from your contact list

The simplest way to display the list, press the right function key "Contacts" (8). Now you can enter the name you are looking for. After that immediately a list of matching contacts will jump.

Move the button up and down to select the contact you want to call and press the call button (4).

When viewing the list, the icon (silhouette) appears by each contact in case the contact is stored in the phone's memory. When a contact is stored on the SIM card, the icon of a card  and a number of a SIM card appear.

Torchlight

Turn On/Off a Torchlight (9) positioned on top of the phone by holding of the button 0(13). You can toggle each lamp mode by repeatedly holding down the button 0 (13).

ATTENTION! The flashlight is very powerful! Never point a flashlight into the eyes, there is a risk of glare or even damage to the eye! After inserting of the battery the lamp always lights itself ! Make sure that the light is not directed at anyone's eye while inserting a battery!

Speed Dial

Favourite functions can be assigned to one press of one of the 4 directional sides of the navigation button (7). Such a function will start after the press of one of the direction.

For example : camera will start to work after pressing of the directional button „up“ (set up from the production)

To change the settings, go to the menu:

Setting → Telephone → Speed Dial

SOS function

In case the SOS feature is enabled, you can:

- press the * (12) button long to start the loud siren
- press the * (12) twice to start an emergency call on the preset numbers. SMSs with emergency text are also sent to these numbers

To set the tel.numbers and texts, go to the menu:

Setting → SOS setting

Safety and Ecology

Used electric device



Mobile phone is an electronic appliance. It means it must not be manipulated as a common residential waste! **Never throw the used electric device away at the common municipal waste!!!**

Hand over the used electric device to the respective collection point which provides the ecological liquidation. Please contact your dealer to get more information how to deal with the used products.

Battery liquidation



Used/old batteries and accumulators do not belong to the common residential waste !!!

They may contain the substances dangerous to the environment.

Hand over the battery to the respective collection point which provides the ecological liquidation. Please contact your dealer to get more information how to deal with the used products.

Handling with the used batteries in contradiction with given instructions is illegal!

Declaration of Conformity



ADART COMPUTERS s.r.o. hereby declares that the type of the radio device ALIGATOR R15 is in accordance with the directive 2014/53/EU.

Issued in Prague

Copyright © 2018

ADART COMPUTERS s.r.o.

www.aligator.cz